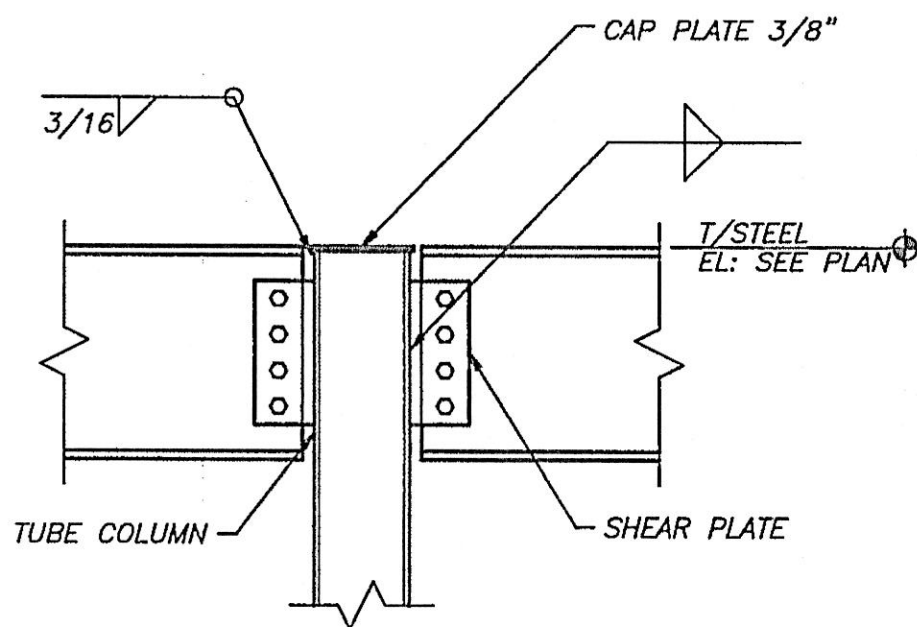
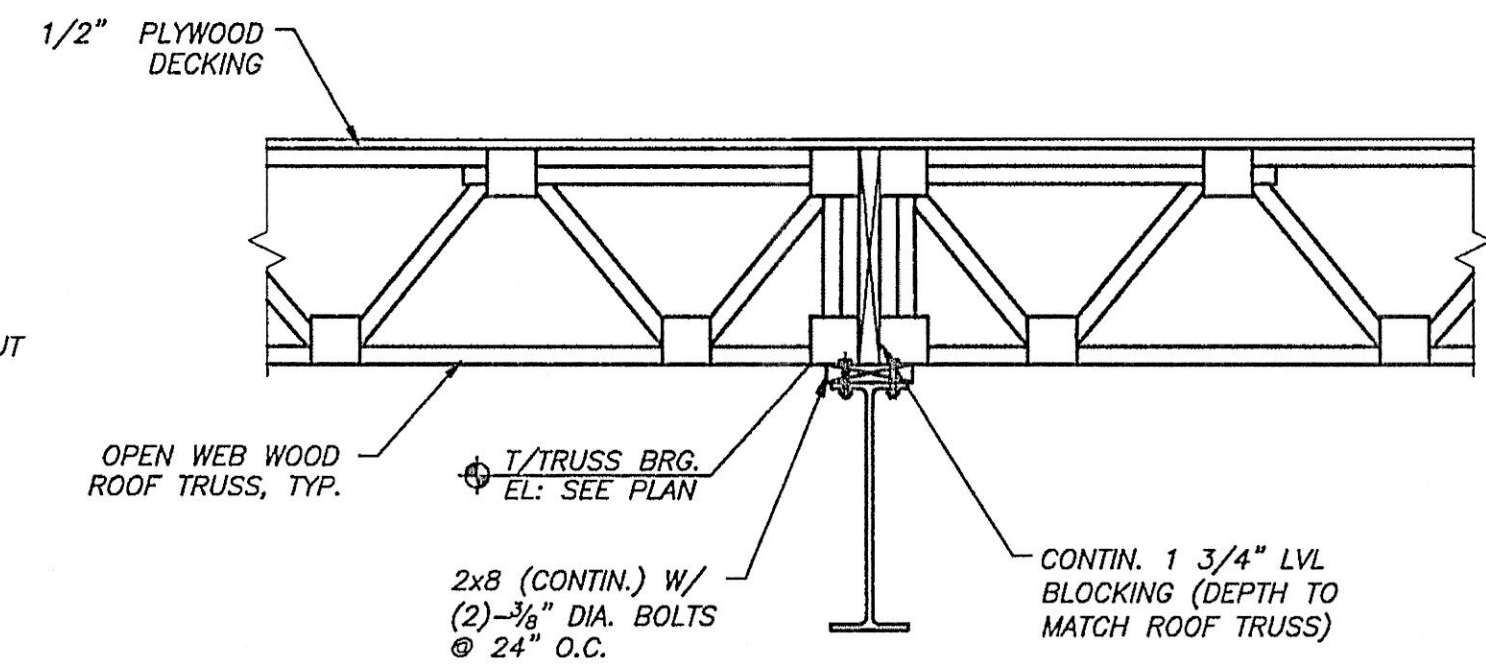
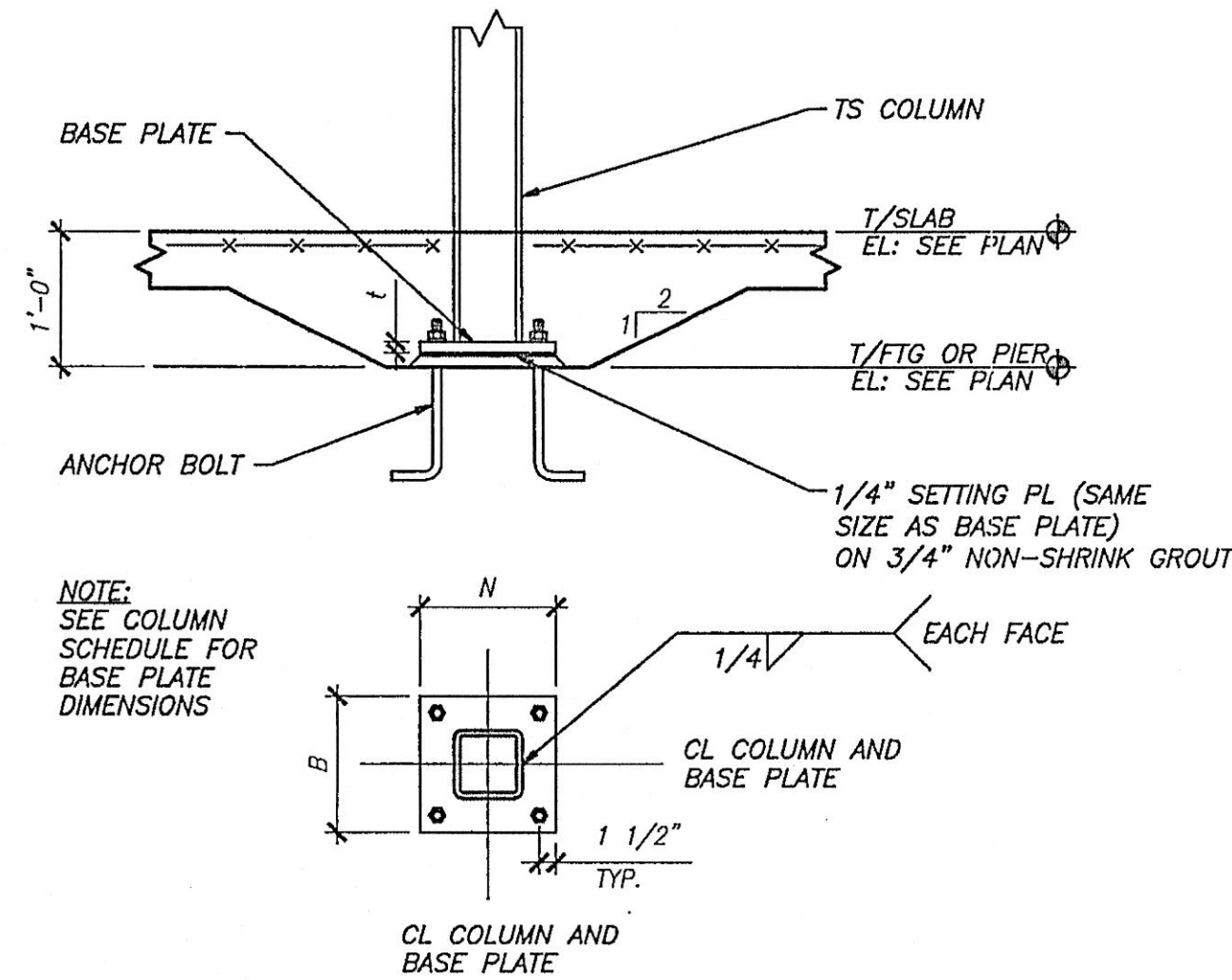


COLUMN SCHEDULE <small>Fy = 46 KSI U.N.O.</small>						
COLUMN MARK	C1	C2	C3	C4	C5	C6
LEVEL						
ROOF						
FIRST FLOOR	HSS 6x4x3/8"	HSS 6x4x3/8"	HSS 6x4x3/8"	HSS 6x4x3/8"	HSS 6x4x3/8"	HSS 6x4x3/8"
BASEMENT						
BASE PLATE t x N x B	1/2"x8"x12"	3/4"x12"x12"	3/4"x12"x12"	3/4"x7"x14"	1/2"x8"x12"	3/4"x12"x12"
ANCHOR BOLTS (4 3/4" U.N.O.)	4 3/4"	4 3/4"	4 3/4"	4 3/4"	4 3/4"	4 3/4"
REMARKS						



NOTE:  
CONNECTION SHALL DEVELOP 100%  
OF SCHEDULED REACTION



1 COLUMN SCHEDULE  
S3.1

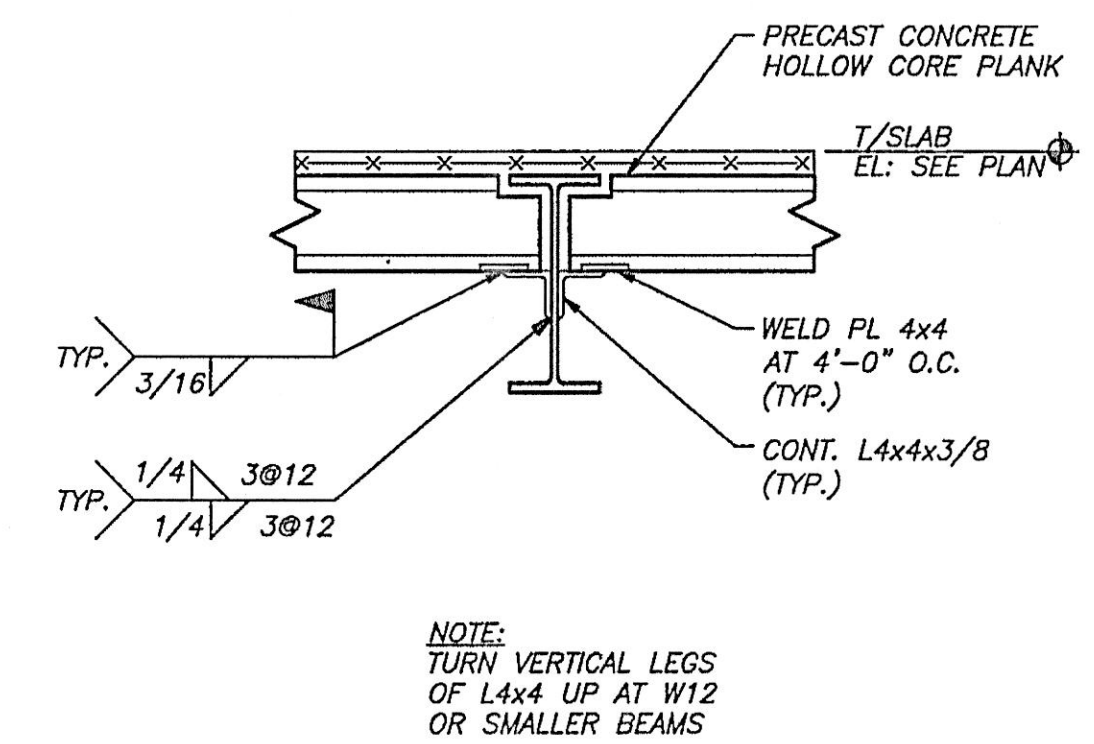
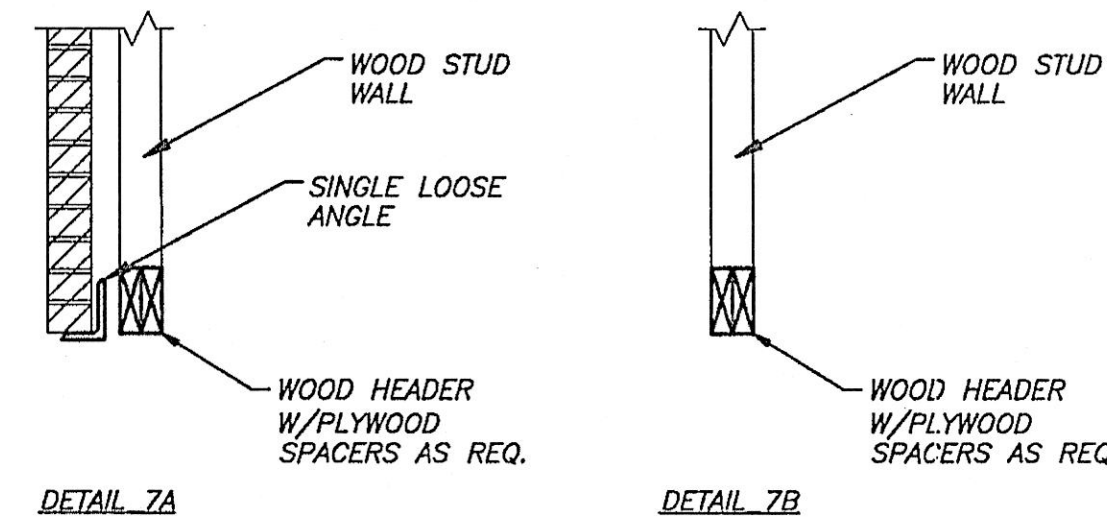
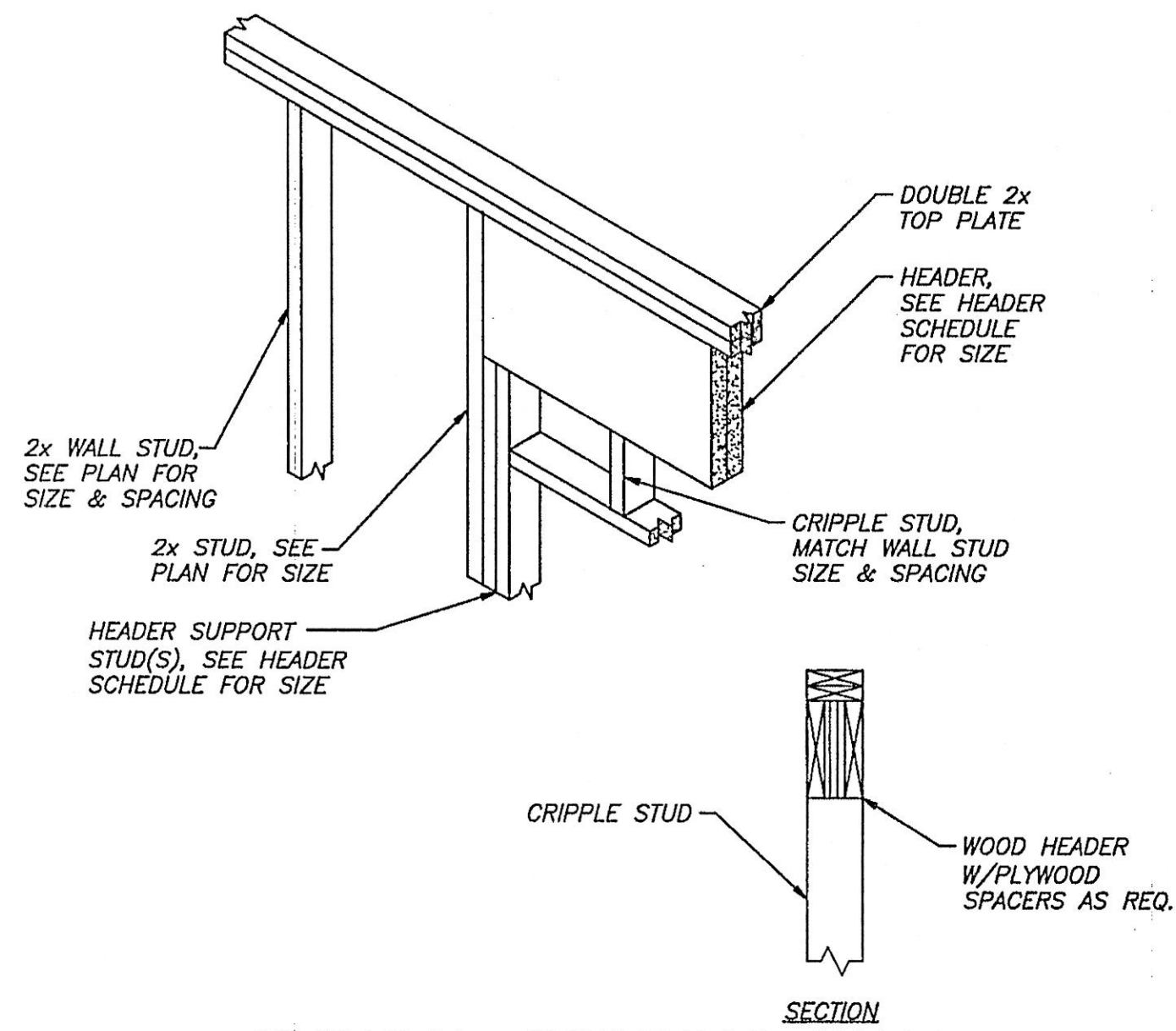
2 TYPICAL BEAM TO TUBE  
COLUMN CONNECTION  
S3.1

3 TYPICAL TUBE COLUMN  
BASE PLATE DETAIL  
S3.1

4 TYP. ROOF TRUSS BEARING  
DETAIL AT INTERIOR WALL  
S3.1

HEADER/LINTEL SCHEDULE						
MARK	WALL TYPE	SPAN	HEADER SIZE	DETAIL	HEADER SUPPORT STUDS	LINTEL SIZE
H1	2x6 WOOD STUD WALL	<=4'	(3) 2x12	7A	(2) 2x6	L3.5x3.5x5/16"
H2	2x6 WOOD STUD WALL	<=12'	(3)-1.75x11.25 MICROLAM	7A	(3) 2x6	L6x3.5x1/2"

NOTES:  
1. COORDINATE WALL OPENING LOCATIONS, HEADER ELEVATIONS, AND ADDITIONAL  
HEADER INFORMATION WITH OWNER.  
2. PROVIDE 8" (MIN.) LINTEL BEARING.  
3. SEE DETAIL 7.



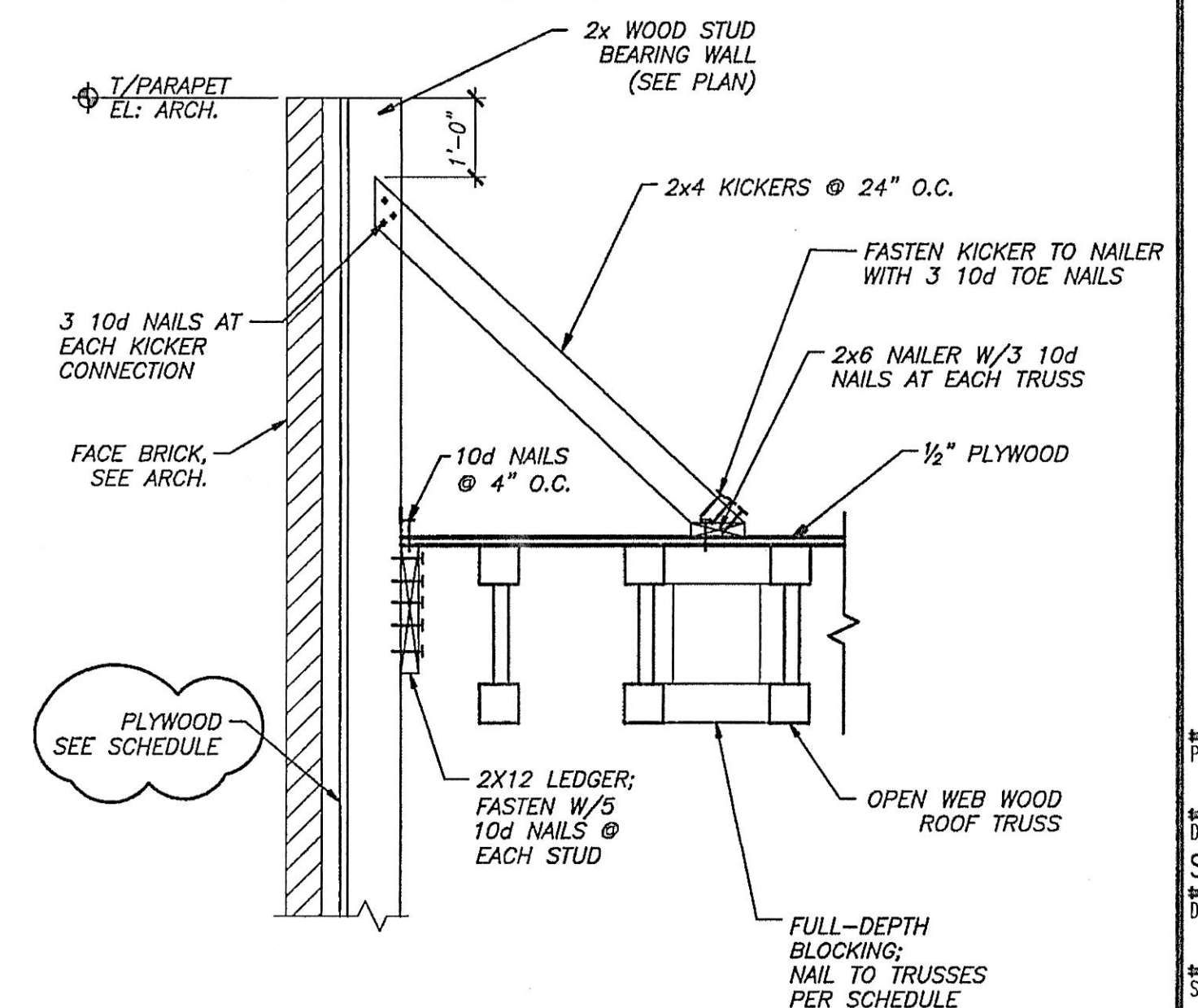
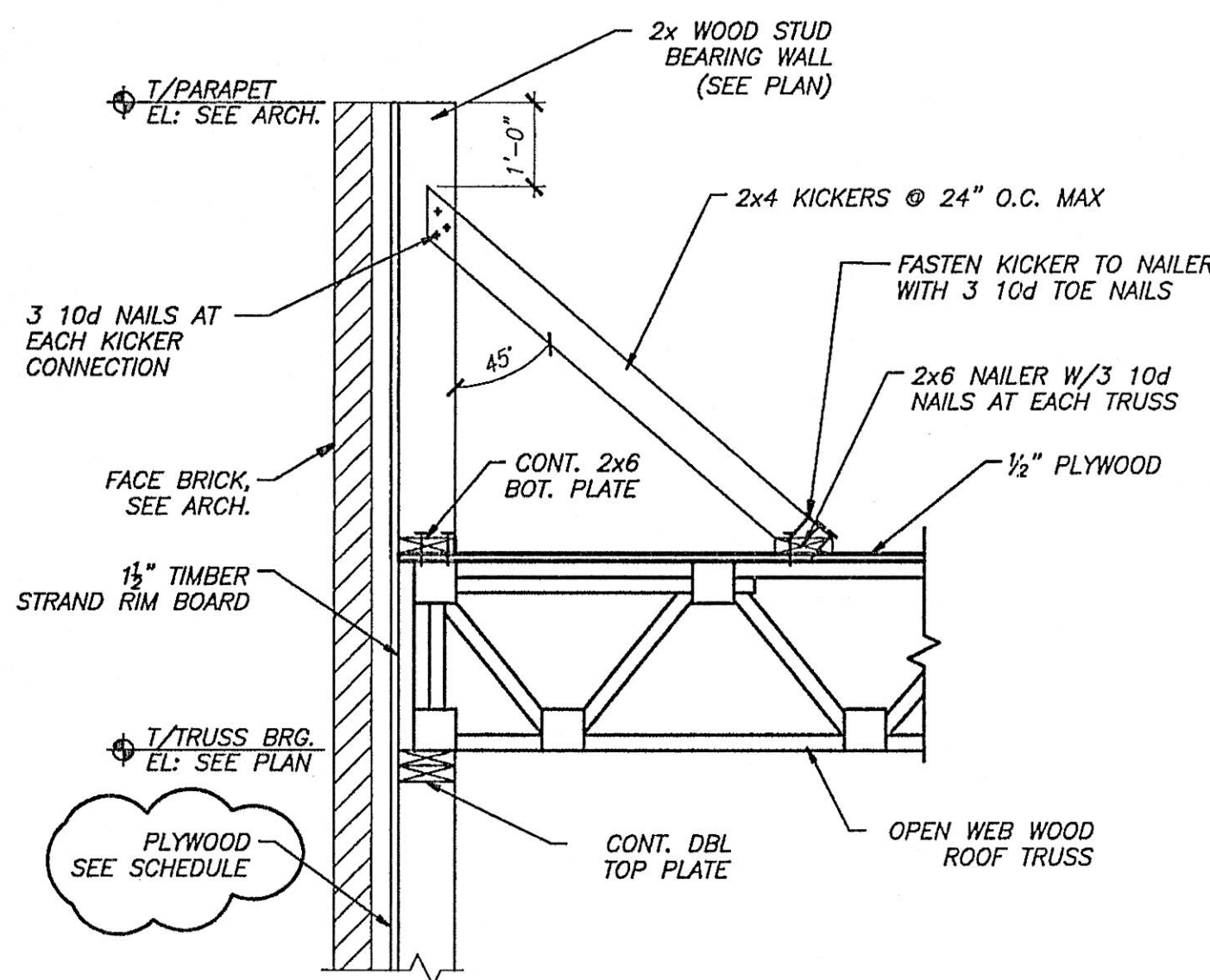
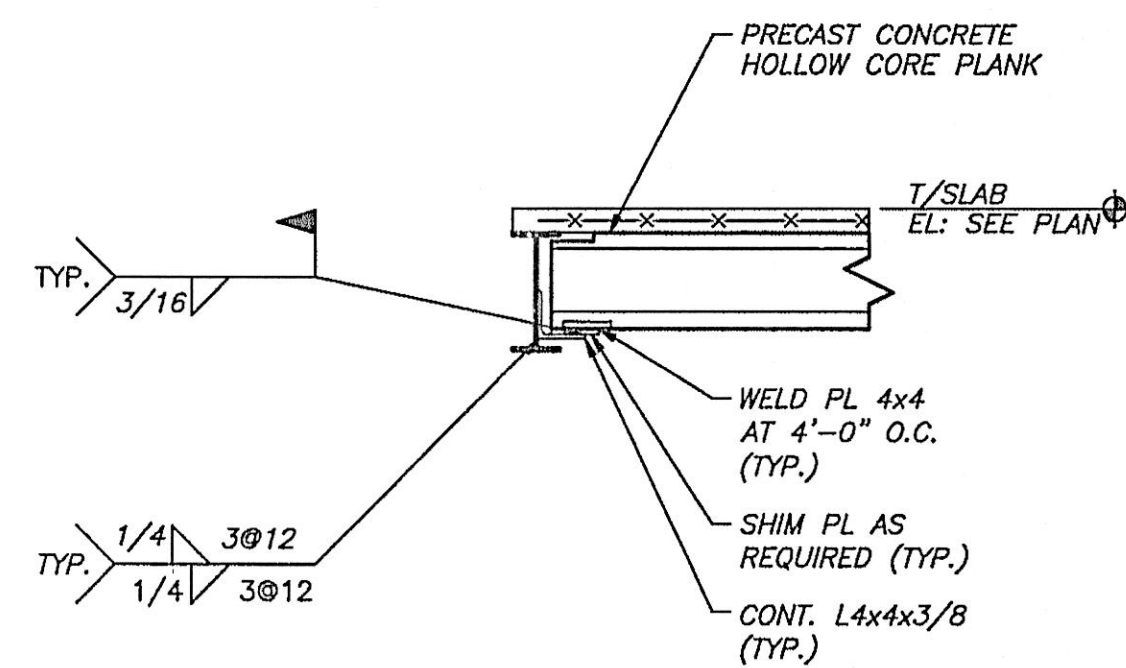
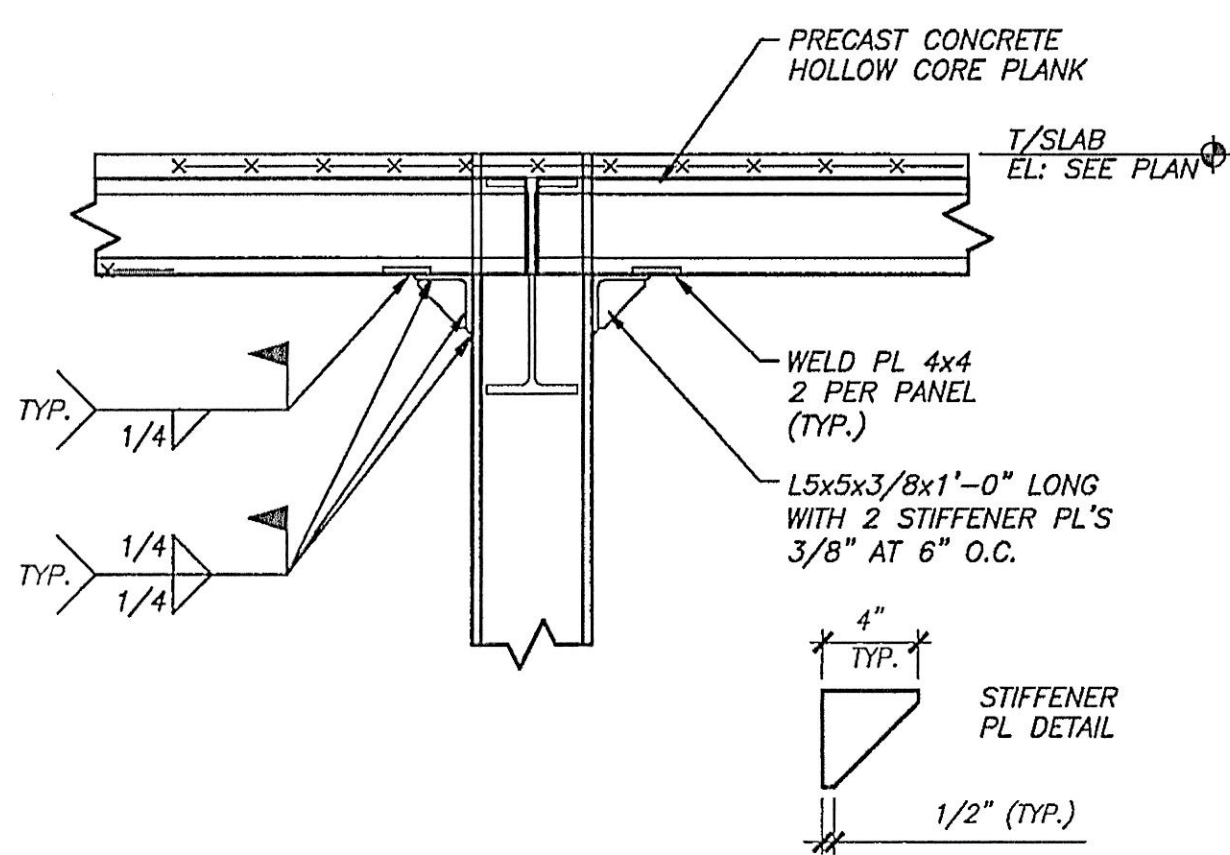
NOTE:  
TURN VERTICAL LEGS  
OF L4x4 UP AT W12  
OR SMALLER BEAMS

5 HEADER SCHEDULE  
S3.1

6 TYPICAL BEARING WALL  
HEADER DETAIL  
S3.1

7 TYPICAL HEADER DETAILS  
S3.1

8 TYP. PRECAST PLANK TO  
RAISED BEAM CONNECTION  
S3.1



9 TYPICAL PLANK SUPPORT  
AT COLUMN  
S3.1

10 PRECAST PLANK TO  
RAISED BEAM @ OPENING  
S3.1

11 TYP. FLOOR TRUSS BEARING  
DETAIL AT EXTERIOR WALL  
S3.1

12 TYP. KICKER  
DETAIL AT EXTERIOR WALL  
S3.1